



SN-IPR5180HZBS-B

8MP Smart Dual Illumination Turret Network Camera



Key Features

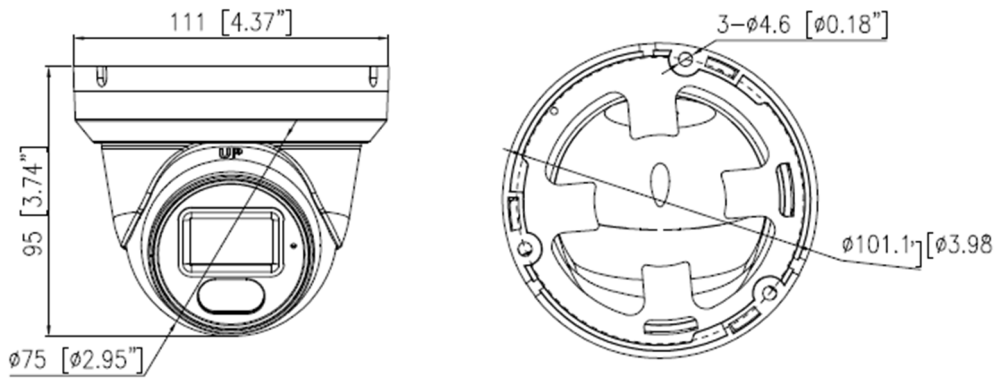
- 1/2.8" progressive scan CMOS
- 2.8mm fixed lens, 4mm optional
- Max resolution 8MP (3840×2160) @20fps
- Support human and vehicle based detection of intrusion, line crossing
- DWDR, 3D DNR, HLC, BLC, Defog
- Built-in IR LED/warm lights, illumination distance up to 30m
- Built-in microphone and SD card slot
- 12V DC/PoE power supply
- IP66

Specification

Camera		
Image Sensor	1/2.8" Progressive Scan CMOS	
Electronic Shutter	Auto/Manual, 1/5 ~ 1/20,000s	
Min. illumination	Color: 0.05 Lux @ (F1.6, AGC ON), 0 Lux with IR on	
S/N Ratio	55dB	
Day & Night	IR cut filter	
Illumination Distance	IR distance up to 30m (98.4 ft) White light distance up to 30m (98.4 ft)	
Illumination On/Off Control	Auto/Manual	
Pan/Tilt/Rotation Range	Pan: 0° ~ 360°, Tilt: 0° ~ 85°, Rotation: 0° ~ 360°	
Lens		
Lens Type	Fixed focal	
Iris	Fixed Iris	
Focal Length	2.8 mm	4 mm
F Number	F2.0	F1.6
Angle of View	H: 101.4°, V: 55.3°	H: 89.2°, V: 45.4°
Video and Audio		
Max. Resolution	3840(H)×2160(V)	
Streaming Capability	2 Streams	
Main Stream	3840×2160 @20fps, 2592×1944 @25fps, 2592×1520, 2560×1440, 2304×1296, 1920×1080, 1280×720 @ 25/30fps	
Sub Stream	704×576, 640×360, 480×360, 352×288 @ 25/30fps	
Bit Rate Control	CBR/VBR	
Bit Rate	Main Stream: 512kbps ~ 6144kbps Sub Stream: 128bps ~ 2048kbps	
Audio Compression	G.711 (64kbps)	
Image		
Image Adjustment	Brightness, Sharpness, Contrast, Saturation	
White Balance	Auto/Manual	
Mirror	Support	
Exposure Mode	Auto/Manual	
Day/Night Setting	Auto, Day, Night, Timing	
Noise Reduction	2D/3D DNR	
Image Enhancement	HLC, BLC, Defog	
Wide Dynamic Range	DWDR	
Privacy Masking	Support	

Alarm Event	
Motion Detection	Support
Intelligent Analysis	Intrusion, Line crossing (support the classification and accurate detection of vehicle and human)
Network	
Protocols	IPv4, RTSP/RTP/RTCP, TCP/UDP, DHCP, DNS, DDNS, UPNP, ICMP, IGMP, NTP, SMTP, 802.1x, SNMP, HTTP/HTTPS, PPPOE
Interface Protocol	ONVIF, SDK, (TUYA optional)
Max. User Access	4 Users
Web Viewer	<IE11, Chrome, Firefox, Microsoft Edge
Language	English, Chinese (Simplified), French, Korean, Polish, Italian, Spanish, German, Hungarian, Russian, Vietnamese, Thai, Danish, Czech, Slovak, Indonesian, Portuguese, Dutch, Hebrew, Arabic
Interface	
Network Interface	1 Ethernet (10/100 Base-T) RJ-45 Connector
Microphone	Support
Reset Button	Support
SD Card Slot	Built-in, up to 256GB
Electrical	
Power Supply	DC12V(-15%~+25%)/POE (IEEE 802.3af)
Power Consumption	Max 5.5W
Operating Temperature	-25°C ~ 55°C (-13°F ~ 131°F)
Operating Humidity	Less than 90% RH
Ingress Protection	IP66
Certifications	CE/FCC
Casing	Metal + Plastic
Dimensions	Φ111 × 95mm (Φ4.37 × 3.74 inch)
Net Weight	0.35 kg (0.77 lb)

Dimensions (mm)



Accessories

Optional:



Junction Box
SN-CBK646M



Pendant Cap
SN-CBK202A



Ceiling Mount
SN-CBK402



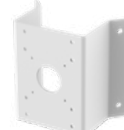
Wall Bracket
SN-CBK501



Wall Mount
SN-CBK502



Pole Mount
SN-CBK101



Corner Mount
SN-CBK102