



SN-IPP8058RAR-VZ

4 × 5MP 4-Directional Multi-sensor Network Camera



Key Features

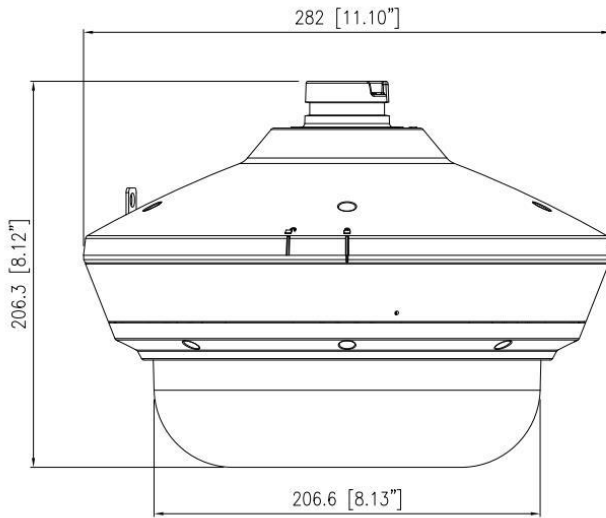
- Four 5MP 1/2.8" STARVIS CMOS image sensor
- 4 adjustable lenses in one camera, each lens up to 5 MP (2592 × 1944) @25/30 fps
- 2.7 to 13.5 mm motorized lens
- True WDR, 3D DNR, ROI, HLC, BLC, Defog
- Support face, human, vehicle detection and capture
- Intelligent analytics: intrusion, single line crossing, double line crossing, loitering, wrong-way, illegal parking, people counting, enter area, leave area and smart motion detection
- Built-in microphone, 1/1 audio in/out, 4/2 alarm in/out
- Built-in SD card slot, up to 1TB
- Smart IR distance up to 40 m
- IP67, IK10

Specification

Camera	
Image Sensor	4 × 1/2.8" Progressive Scan CMOS
Max. Resolution	5MP (2592 × 1944)
Electronic Shutter	Auto/Manual, 1/5 to 1/20,000s
Min. illumination	Color: 0.005 Lux @ (F1.6, AGC ON), B/W: 0 Lux with IR
Day & Night	IR cut filter
Angle Adjustment	Pan: -180° to 180°, Tilt: 0° to 130°, Rotation: 0° to 355°
Lens	
Lens Type	Motorized focus
Iris	DC- Iris
Focal Length	2.7 to 13.5 mm
F Number	F1.6
Angle of View	H: 95.6° to 26.9°, V: 65.4° to 20.5°
Illuminator	
Illuminator Type	IR
Illumination Distance	IR distance up to 40 m (131.2 ft)
Illumination On/Off Control	Auto/Manual
Video	
Streaming Capability	3 Streams
Stream/Frame Rate	Stream1: 2592 × 1944, 2592 × 1520, 1920 × 1080, 1280 × 720 @ 25/30fps Stream2: D1, VGA, CIF @ 25/30fps Stream3: VGA, CIF, QVGA @ 25/30fps
Bit Rate Control	CBR/VBR
Bit Rate	Stream1: 500 kbps to 12 Mbps Stream2: 100 kbps to 6 Mbps Stream3: 100 kbps to 3 Mbps
Smart Encoder	Support
Region of Interest (ROI)	Support
Audio	
Compression	G.711, RAW_PCM
Bit Rate	64Kbps (G.711), 128Kbps (RAW_PCM)
Image	
Image Adjustment	Brightness, Sharpness, Contrast, Saturation adjustable
Aisle Mode	Support
Mirror	Support
White Balance	Auto/Manual
Day/Night Setting	Auto, Day, Night, Time

Noise Reduction	2D/3D DNR
Image Enhancement	HLC, BLC, Defog
Wide Dynamic Range	Ture WDR
S/N Ratio	55dB
Privacy Masking	Supports 1 to 4 channels
Smart Function	
Multi-Object Detection	Supports human and vehicle detection and capture
Intelligent Analysis	Intrusion, Single line crossing, Double line crossing, Loitering, Wrong-way, Enter area, Leave area and Smart motion detection. Support alarm triggering by specified target types (human and vehicle).
People Counting	Support
Basic Events	Disk alarm, Network alarm, I/O alarm, Motion detection alarm, Abnormal sound detection
Network	
Protocols	IPv4/IPv6, RTSP/RTCP/RTP, TCP/UDP, HTTPS, DHCP, DNS, DDNS, PPPoE, UPnP, ICMP, IGMP, FTP, NTP, STMP, 802.1x, SNMP
Interoperability	ONVIF (profile S/T/G/M), SDK, CGI
Streaming Method	Multicast
Max. User Access	10 Users
Web Viewer	<IE11, Chrome, Firefox
Language	English, Chinese, Polish, Italian, Portuguese, Spanish, Russian, French, Czech, Hungarian. Default: English
Interface	
Network Interface	1 Ethernet (100/1000 Base-T) RJ-45 Connector
Built-in Microphone	Support
Audio Interface	1ch Input, 1ch Output
Alarm Interface	4ch Input, 2ch Output
RS-485	Support
CVBS Interface	Support
Reset Button	Support
SD Card Slot	Built-in, up to 1 TB
Electrical	
Power Supply	DC12V (-15% to +25%)/PoE+ (802.3at)
Power Consumption	Max. 20 W
Operating Temperature	-40°C to 60°C (-40°F to 140°F)
Operating Humidity	Less than 90% RH
Ingress Protection	IP67, IK10
Certifications	CE/FCC
Casing	Metal + plastic
Dimensions	Φ 282 × 206.3 mm (φ11.1 × 8.12 inch) , (Bracket not included)
Net Weight	4 kg (8.82 lb), (Bracket not included)

Dimensions (mm)



Accessories

Included:



Optional:

SN-BK348A Ceiling Bracket	SN-BK605 Corner Mount	SN-BK604B Pole Mount	SN-BK367 Junction Box	SN-BK358 Corner Mount	SN-BK359 Pole Mount
					