



SN-IPR8041DQAW-B

4MP Full Color Bullet Network Camera



Key Features

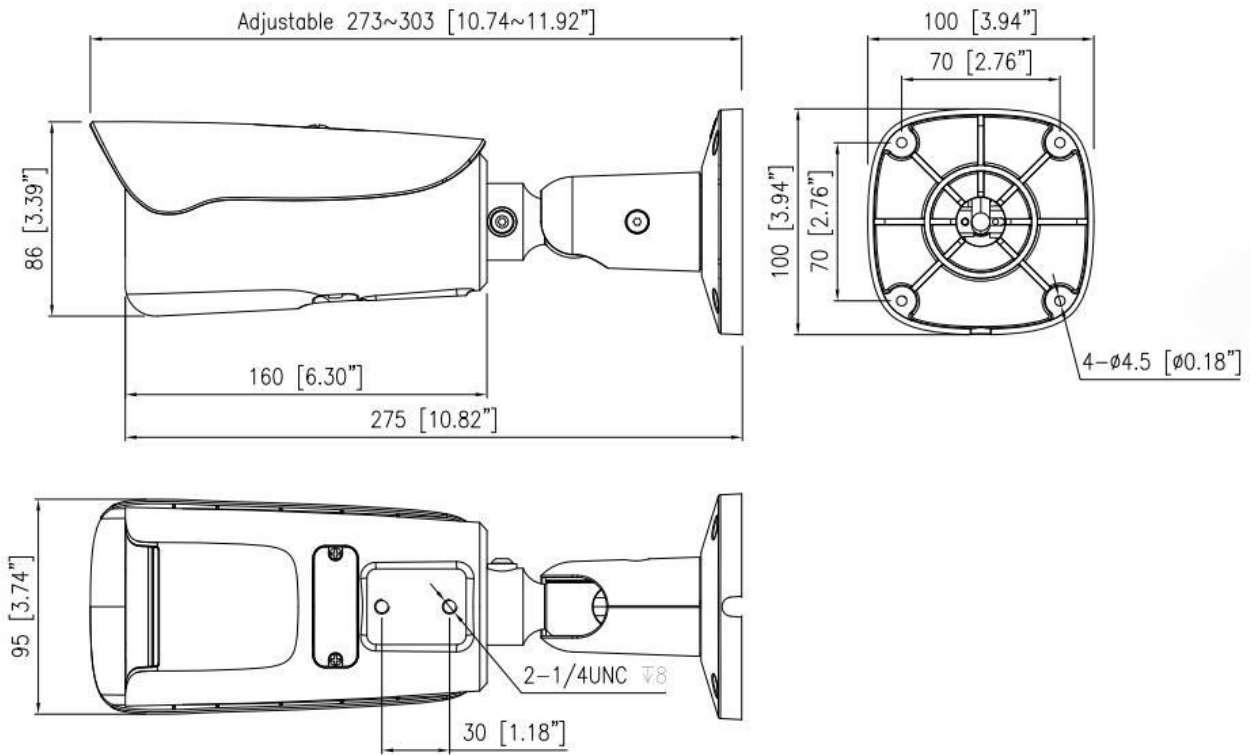
- 1/1.8" progressive scan CMOS
- Max. 4MP(2560×1440) @25/30fps resolution
- Support face, human, vehicle detection and capture
- Intelligent analytics: intrusion, single line crossing, double line crossing, loitering, wrong-way and people counting
- True WDR, 3D DNR, ROI, HLC, BLC, Defog
- Built-in warm lights, illumination distance up to 40m
- 1/1 audio in/out, 1/1 alarm in/out
- Built-in microphone and speaker
- Built-in SD card slot
- IP66

Specification

| Camera | | | | |
|-----------------------------|---|------------------|------------------|-----------------|
| Image Sensor | 1/1.8" Progressive Scan CMOS | | | |
| Max. Resolution | 4MP (2560×1440) | | | |
| Electronic Shutter | Auto/Manual, 1/5 to 1/20,000s | | | |
| Min. illumination | Color: 0.0005 Lux @ (F1.0, AGC ON), 0 Lux with white light on | | | |
| Day & Night | Fixed filter | | | |
| Angle Adjustment | Pan: 0° to 360°, Tilt: 0° to 90°, Rotation: 0° to 360° | | | |
| Lens | | | | |
| Lens Type | Fixed focus | | | |
| Iris | Fixed Iris | | | |
| Focal Length | 4 mm | | | |
| F Number | F1.0 | | | |
| Field of View | H: 88.7°, V: 48.2° | | | |
| DORI Distance | | | | |
| Lens | Detect | Observe | Recognize | Identify |
| 4 mm | 54 m (177.2 ft) | 21.6 m (70.8 ft) | 10.8 m (35.4 ft) | 5.4 m (17.7 ft) |
| Illuminator | | | | |
| Illuminator Type | Warm light | | | |
| Illumination Range | Up to 40 m (131.2 ft) | | | |
| Illumination On/Off Control | Auto/Manual | | | |
| Video | | | | |
| Streaming Capability | 3 Streams | | | |
| Stream/Frame Rate | Stream1: 2560×1440, 2304×1296, 1920×1080, 1280×720 @ 25/30fps Stream2: D1, VGA, CIF @ 25/30fps Stream3: VGA, CIF, QVGA @ 25/30fps | | | |
| Bit Rate Control | CBR/VBR | | | |
| Bit Rate | Stream1: 200kbps to 12Mbps Stream2: 100kbps to 6Mbps Stream3: 100kbps to 3Mbps | | | |
| Region of Interest | Off/On (8 areas, Rectangle) | | | |
| Smart Encode | Support | | | |
| Audio | | | | |
| Compression | G.711, RAW_PCM | | | |
| Bit Rate | 64Kbps (G.711), 128Kps (RAW_PCM) | | | |
| Image | | | | |
| Image Adjustment | Brightness, Sharpness, Contrast, Saturation adjustable | | | |
| Aisle Mode | Support | | | |
| Mirror | Support | | | |
| White Balance | Auto/Manual | | | |
| Day/Night Setting | Auto, Day, Night, Time | | | |

| | |
|------------------------|---|
| Noise Reduction | 2D/3D DNR |
| Image Enhancement | HLC, BLC, Defog |
| Wide Dynamic Range | True WDR |
| S/N Ratio | 55dB |
| Privacy Masking | 4 areas |
| Smart Function | |
| Multi-Object Detection | Supports face, human, vehicle detection and capture |
| Intelligent Analytics | Intrusion, Single line crossing, Double line crossing, Loitering, Wrong-way Support alarm triggering by specified target types (human and vehicle) |
| People Counting | Support |
| Basic Events | Disk alarm, Network alarm, I/O alarm, Motion detection alarm, Abnormal sound detection |
| Network | |
| Protocols | IPv4/IPv6, RTSP/ RTCP/RTP, TCP/UDP, HTTPS, DHCP, DNS, DDNS, PPPoE, UPnP, ICMP, IGMP, FTP, NTP, SMTP, 802.1x, SNMP |
| Interoperability | ONVIF, SDK, CGI |
| Streaming Method | Multicast |
| Max. User Access | 10 Users |
| Web Viewer | <IE11, Chrome, Firefox, Microsoft Edge |
| Language | English, Chinese, Polish, Italian, Portuguese, Spanish, Russian, French, Czech, Hungarian. Default: English |
| Interface | |
| Network Interface | 1 Ethernet (10/100 Base-T) RJ-45 Connector |
| Audio Interface | 1ch Input, 1ch Output |
| Built-in Microphone | Support |
| Built-in Speaker | Support |
| Alarm Interface | 1ch Input, 1ch Output |
| Reset Button | Support |
| SD Card Slot | Built-in, up to 256GB |
| Electrical | |
| Power Supply | DC12V (-15% to +25%)/PoE (IEEE 802.3af) |
| Power Consumption | Max. 12.5W |
| Operating Temperature | -40°C to 55°C (-40°F to 131°F) |
| Operating Humidity | Less than 90% RH |
| Ingress Protection | IP66 |
| Certifications | CE/FCC |
| Casing | Metal |
| Dimensions | 303 × 100 × 107 mm (11.9 × 3.94 × 4.21 inch) |
| Net Weight | 1.25 kg (2.76 lb) |

Dimensions (mm)



Accessories

Optional:



SN-CBK656A
Junction Box



SN-CBK627D
Pole Mount