

Bullet Network Camera Quick Setup Guide

NO:101-300-0640-01
Issue:1.0

Precautions

Fully understand this document before using this device, and strictly observe rules in this document when using this device. If you install this device in public places, provide the tip "You have entered the area of electronic surveillance" in an eye-catching place. Failure to correctly use electrical products may cause fire and severe injuries.

WARNING	It alerts you to moderate dangers which, if not avoided, may cause minor or moderate injuries.
CAUTION	It alerts you to risks. Neglect of these risks may cause device damage, data loss, device performance deterioration, or unpredictable results.
NOTE	It provides additional information.

WARNING

- Strictly observe installation requirements when installing the device. The manufacturer shall not be held responsible for device damage caused by users' non-conformance to these requirements.
- Strictly conform to local electrical safety standards and use power adapters that are marked with the LPS standard when installing and using this device. Otherwise, this device may be damaged.
- Use accessories delivered with this device. The voltage must meet input voltage requirements for this device.
- If this device is installed in places with unsteady voltage, ground this device to discharge high energy such as electrical surges in order to prevent the power supply from burning out.
- When this device is in use, ensure that no water or any liquid flows into the device. If water or liquid unexpectedly flows into the device, immediately power off the device and disconnect all cables (such as power cables and network cables) from this device.
- Do not focus strong light (such as lighted bulbs or sunlight) on

this device. Otherwise, the service life of the image sensor may be shortened.

- If this device is installed in places where thunder and lightning frequently occur, ground the device nearby to discharge high energy such as thunder strikes in order to prevent device damage.

CAUTION

- Avoid heavy loads, intensive shakes, and soaking to prevent damages during transportation and storage. The warranty does not cover any device damage that is caused during secondary packaging and transportation after the original packaging is taken apart.
- Protect this device from fall-down and intensive strikes, keep the device away from magnetic field interference, and do not install the device in places with shaking surfaces or under shocks.
- Clean the device with a soft dry cloth. For stubborn dirt, dip the cloth into slight neutral cleanser, gently wipe the dirt with the cloth, and then dry the device.
- Do not jam the ventilation opening. Follow the installation instructions provided in this document when installing the device.
- Keep the device away from heat sources such as radiators, electric heaters, or other heat equipment.
- Keep the device away from moist, dusty, extremely hot or cold places, or places with strong electric radiation.
- If the device is installed outdoors, take insect- and moisture-proof measures to avoid circuit board corrosion that can affect monitoring.
- Remove the power plug if the device is idle for a long time.
- Before unpacking, check whether the fragile sticker is damaged. If the fragile sticker is damaged, contact customer services or sales personnel. The manufacturer shall not be held responsible for any artificial damage of the fragile sticker.

Special Announcement

- All complete products sold by the manufacturer are delivered along with nameplates, quick setup guide and accessories after strict inspection. The manufacturer shall not be held responsible for counterfeit products.
- The manufacturer will update this manual according to product function enhancement or changes and regularly update the software and hardware described in this manual. Update information will be added to new versions of this manual without prior notice.
- This manual may contain misprints, technology information that is not accurate enough, or product function and operation description that is slightly inconsistent with the actual product, the final interpretation of company is as a standard.
- This manual is only for reference and does not ensure that the information is totally consistent with the actual product. For consistency, see the actual product.

NOTE

For more information, please refer to website.

1 Open Package Examination

Open the package, check the appearance of product for no obvious damage, and confirm the item list for table 1-1 is consistent.

Table 1-1 Packing list

Component	Quantity	Remark
Bullet Network Camera	1	
Quick Setup Guide	1	
Installation location sticker	1	
Hex Wrench	1	
Swell plastic button $\phi 5.6 \times 29\text{mm}$	3	
Stainless self-tapping screw PA4.0 $\times 30\text{mm}$	3	
Network access port protective cover	1	
Waterproof rubber seal	1	
Video patch cord	1	

2 Device Structure

2.1 Device Ports

NOTE

Different devices may have different ports and multi-head cable, please refer to the actual product.

Figure 2-1 Hardware ports

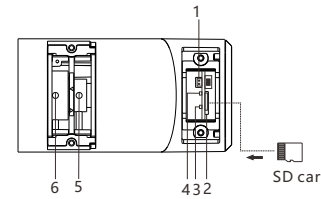


Table 2-1 Hardware ports description

ID	Port Name	Description
1	BNC Video	Sends an analog video signal. You can connect the camera to a TV monitor through this port to view the analog video.
2	SD card slot	Install a SD card. NOTE <ul style="list-style-type: none"> Before install a SD card, verify the card not in write protection state. Before remove the SD card. Verify the card not in write protection state. Otherwise, the data may be lost, or the SD card may be damaged.
3	SD card indicator	Indicate the card status, the status is described as follows: <ul style="list-style-type: none"> Off: No card is inserted On: A SD card is inserted.
4	NIC indicator	When there is a network activity, the indicator flashes.
	Zoom lever	NOTE
5	Focusing lever	Applied for MF products only.

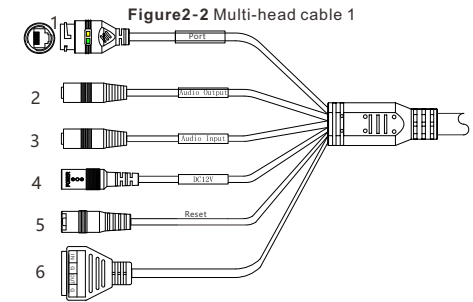


Table 2-2 Multi-head cable 1 description

ID	Core	Description	Remark
1	Network access port	Connects to a standard Ethernet cable or PoE. The green light is on, the network connection is normal; the yellow light flashes when the data is transmitted. Some models maybe not have the lights, please refer to actual product.	Support PoE supply.
2	Audio output	Connects to an external audio device such as a speaker.	Applied for camera with audio function
3	Audio input port	Receives an analog audio signal from devices such as a sound pickup device.	
4	Reset button	Long press the reset button 5 seconds to restore the original settings.	
5	Power supply (DC 12V)	Connects to a 12V direct current (DC) power supply.	
6	G	Alarm output COM	Applied for alarm function
	OUT	Alarm output terminal	
	G	Alarm input COM	
	IN	Alarm input terminal	

Figure 2-3 Multi-head cable 2

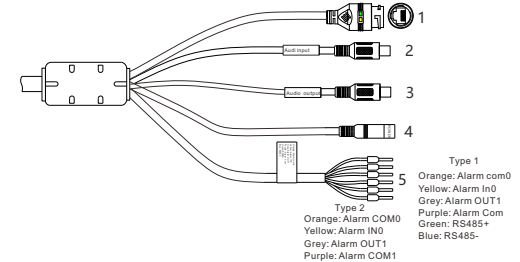


Table 2-3 Multi-head cable 2 description

ID	Core	Description	Remark
1	Network access port	Connects to a standard Ethernet cable or PoE. The green light is on, the network connection is normal; the yellow light flashes when the data is transmitted. Some models maybe not have the lights, please refer to actual product.	Support PoE supply
2	Audio input port	Receives an analog audio signal from devices such as a sound pickup device.	Applied for audio function
3	Audio output port	Connects to an external audio device such as a speaker.	
4	Power supply (DC 12V)	Connects to a 12V direct current (DC) power supply or 24V alternating current (AC) power supply.	
5	Alarm	Applied for alarm function. It maybe have two types, please refer to actual product.	

2.2 Camera Dimensions

NOTE

Different devices may have different dimensions, please refer to the actual product.

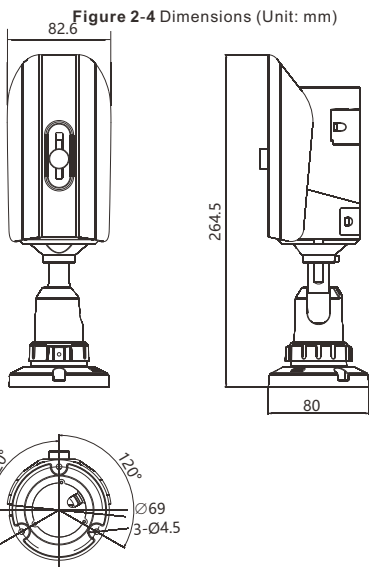
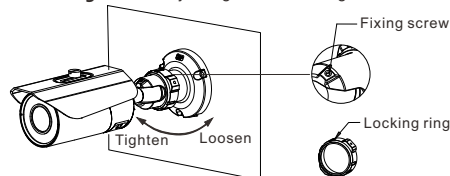


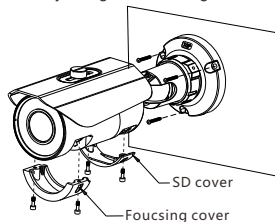
Figure 2-4 Dimensions (Unit: mm)

Figure 3-2 Adjusting the monitoring direction



Step 5 Unscrew the fixing screw and open the lens cover. Use the focusing lever to adjust the lens and check images on the analog monitor until the captured images are clear. Then, lock the focusing lever, screw the cover and fasten the screw (This step is applied for MF products only).

Figure 3-3 Adjusting the view angle and focal length



4 Quick Configuration(e.g IE)

4.1 Login

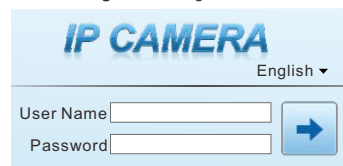
Step 1 Open the Internet Explorer, enter the IP address of IP camera (default value: 192.168.0.120) in the address box, and press Enter. The login page is displayed, as shown in figure 4-1.

Step 2 Input the user name and password.

NOTE

- The default user name is admin. The default password is admin. Change the password when you log in the system for first time to ensure system security.
- It is advised to restart the device three minutes later after modifying password.
- You can change the system display language on the login page.

Figure 4-1 Login



Step3 Click Login, the main page is displayed.

4.2 Modify IP address

Choose **Configuration > Device > Local Network**, the **Local Network** page is displayed.

Enter the IP address in the IP Address box and click **Apply** as shown in figure 4-2.

After the IP address is set successfully, please use the new IP address to log in the Web interface.

Figure 4-2 Local Network

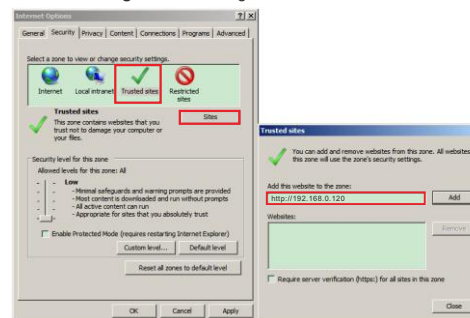


4.3 Browsing Video

To ensure the real-time video can be played properly, you must perform the following operation when you log in the web for the first time:

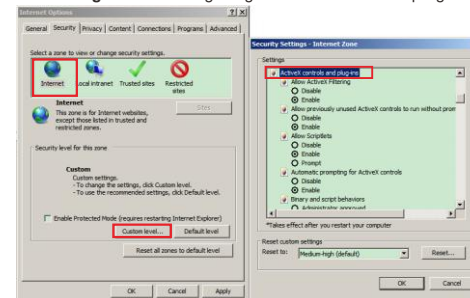
Step 1 the Internet Explorer. Choose **Tools > Internet options > Security > Trusted sites > Sites**, in the display dialog box, click **Add**, as shown in figure 4-3.

Figure 4-3 Adding a trusted site



Step 2 In the Internet Explorer, choose **Tool > Internet Options > Security > Customer level**, and set **Download unsigned ActiveX control and initialize and script ActiveX controls not marked as safe for scripting under ActiveX controls and plug-ins to Enable**, as shown in figure 4-4.

Figure 4-4 Configuring ActiveX control and plug-in



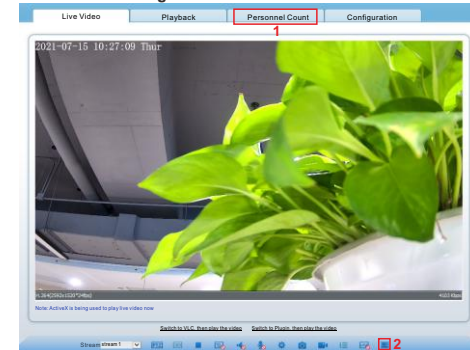
Step 3 Download and install the player control as prompted.

NOTE

If the repair tips displayed when installing the control, please ignore the prompt, and continue the installation, the login page is displayed when the control is loaded.

To browse a real-time video, click Live Video. The Live Video page is displayed, as shown in figure 4-5.

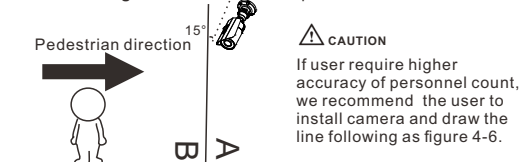
Figure 4-5 Live Video



1 Personnel Count: user can query the data of personnel count, through year, month, day. The statistics can be downloaded. The data can be shown by line chart, histogram, list.

2 AI Live video: click the icon to view the snapshots of human face or license plate (click "Face" or "Plate" to switch). The bottom page will show the captured images of vehicle and human.

Figure 4-6 Installation of personnel count



4.4 Two-way audio

NOTE

Partial camera do not support two-way audio, this section do not apply.

4.4.1 Camera ↔ PC

Connection:
Step 1 Connect microphone to audio input interface of camera.
Step 2 Connect speaker to the PC audio output interface.
Step 3 Login camera Web, click to turn on two-way audio.

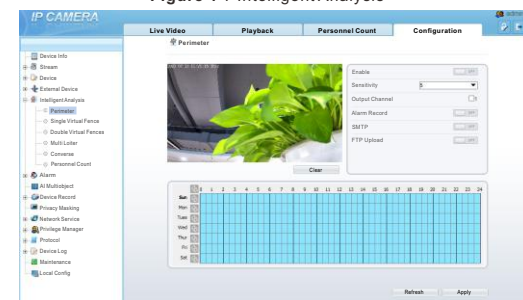
4.4.2 PC ↔ Camera

Step1 Connect microphone to PC audio input interface.
Step2 Connect speaker to camera audio out interface.
Step3 Log in camera Web, click to turn on two-way audio.

4.5 Intelligent Analysis

At "Configuration > Intelligent Analysis" interface, user can set the parameters of Perimeter, Single Virtual Fence, Double Virtual Fence, Multi Loiter, Converse and Personnel Count, as shown in figure 4-7.

Figure 4-7 Intelligent Analysis



4.6 Alarm Configuration

NOTE

Partial camera do not support alarm, this section do not apply.

Alarm input and Alarm output connection:

Step1 Connect alarm input device to Alarm IN0 and Alarm COM0 of multi-head cable.
Step2 Connect alarm output device to Alarm OUT1 and Alarm COM1 of multi-head cable, alarm output interface can connect to normal open device only.
Step3 Log in Web, Choose **Configuration > Alarm > Alarm output**.
Step4 Choose **Configuration > Alarm > I/O Alarm Linkage**, enable the I/O Alarm and set the parameters of Schedule Setting.

4.7 AI Multi object

At "Configuration > AI Multi object" interface, user can enable face detection, full body detection, vehicle detection, set the other parameters of detection, as shown in figure 4-8.

Figure 4-8 AI Multiobject

