



# SN-IPR8540DQAW-B

4MP Nighthawk Full Color Bullet Network Camera



## Key Features

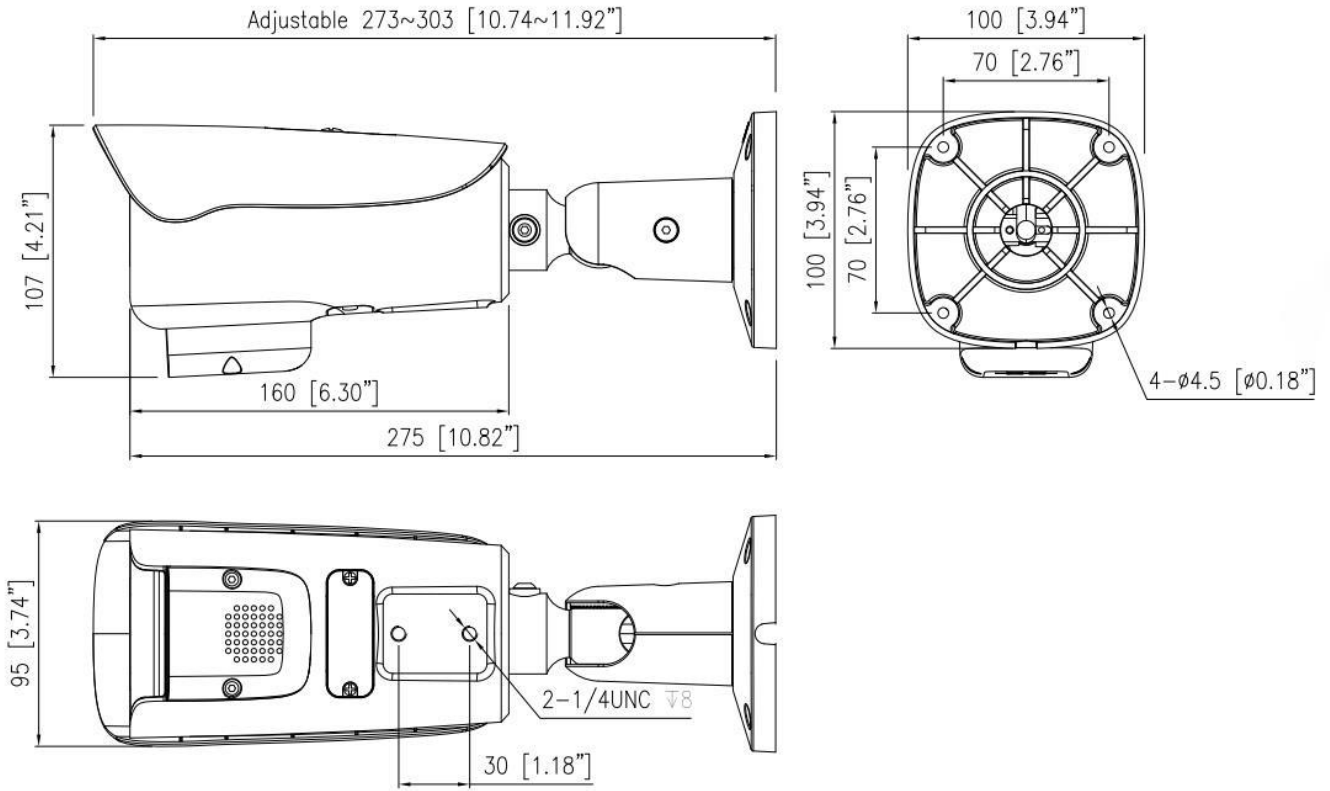
- 1/1.8" progressive scan CMOS
- Max. 4MP(2688×1520) @25/30fps resolution
- Support face, human, vehicle detection and capture
- Intelligent analytics: intrusion, single line crossing, double line crossing, loitering, wrong-way and people counting
- True WDR, 3D DNR, ROI, HLC, BLC, Defog
- Built-in warm lights, illumination distance up to 40m
- 1/1 audio in/out, 1/1 alarm in/out
- Built-in microphone and speaker
- Support SD card slot
- Support 12VDC/0.25A power output
- IP66

# Specification

| Camera                      |   |                  |                  |                  |                 |
|-----------------------------|---|------------------|------------------|------------------|-----------------|
| Image Sensor                | 1/1.8" Progressive Scan CMOS  |                  |                  |                  |                 |
| Max. Resolution             | 4MP (2688×1520)   |                  |                  |                  |                 |
| Electronic Shutter          | Auto/Manual, 1/5 to 1/50,000s   |                  |                  |                  |                 |
| Min. illumination           | Color: 0.0001 Lux @ (F1.0, AGC ON), 0 Lux with warm-light ON  |                  |                  |                  |                 |
| Day & Night                 | Fixed filter  |                  |                  |                  |                 |
| Angle Adjustment            | Pan: 0° to 360°, Tilt: 0° to 90°, Rotation: 0° to 360°  |                  |                  |                  |                 |
| Lens                        |   |                  |                  |                  |                 |
| Lens Type                   | Fixed focus lens  |                  |                  |                  |                 |
| Iris                        | Fixed Iris  |                  |                  |                  |                 |
| Focal Length                | 2.8 mm, 4 mm and 6 mm optional  |                  |                  |                  |                 |
| F Number                    | F1.0  |                  |                  |                  |                 |
| Field of View               | 2.8 mm, H: 112.4°, V: 61.2°<br>4 mm, H: 95.6°, V: 50.6°<br>6 mm, H: 54.4°, V: 28.7°   |                  |                  |                  |                 |
| DORI                        |   |                  |                  |                  |                 |
| DORI Distance               | Lens  | Detect           | Observe          | Recognize        | Identify        |
|                             | 2.8 mm  | 56 m (183.7 ft)  | 22.4 m (73.5 ft) | 11.2 m (36.7 ft) | 5.6 m (18.4 ft) |
|                             | 4 mm  | 65 m (213.3 ft)  | 26 m (85.3 ft)   | 13 m (42.7 ft)   | 6.5 m (21.3 ft) |
|                             | 6 mm  | 110 m (360.9 ft) | 44 m (144.4 ft)  | 22 m (72.2 ft)   | 11 m (36.1 ft)  |
| Illuminator                 |   |                  |                  |                  |                 |
| Illuminator Type            | Warm light  |                  |                  |                  |                 |
| Illumination Range          | Up to 40 m (131.2 ft)   |                  |                  |                  |                 |
| Illumination On/Off Control | Auto/Manual   |                  |                  |                  |                 |
| Video                       |   |                  |                  |                  |                 |
| Streaming Capability        | 3 Streams   |                  |                  |                  |                 |
| Stream/Frame Rate           | Stream1: 2688×1520, 2560×1440, 2304×1296, 1920×1080, 1280×720 @25/30fps<br>Stream2: D1, VGA, CIF @25/30fps<br>Stream3: VGA, CIF, QVGA @25/30fps |                  |                  |                  |                 |
| Bit Rate Control            | CBR/VBR   |                  |                  |                  |                 |
| Bit Rate                    | Stream1: 200 Kbps to 12 Mbps<br>Stream2: 100 Kbps to 6 Mbps<br>Stream3: 100 Kbps to 3 Mbps  |                  |                  |                  |                 |
| Region of Interest          | Off/On (8 areas, Rectangle)   |                  |                  |                  |                 |
| Smart Encode                | Support   |                  |                  |                  |                 |
| Audio                       |   |                  |                  |                  |                 |
| Compression                 | G.711, RAW_PCM  |                  |                  |                  |                 |
| Bit Rate                    | 64Kbps (G.711), 128Kbps (RAW_PCM)   |                  |                  |                  |                 |
| Image                       |   |                  |                  |                  |                 |
| Image Adjustment            | Brightness, Sharpness, Contrast, Saturation adjustable  |                  |                  |                  |                 |
| Aisle Mode                  | Support   |                  |                  |                  |                 |

|                        |   |
|------------------------|---|
| Mirror                 | Support   |
| White Balance          | Auto/Manual   |
| Day/Night Setting      | Auto, Day, Night, Time  |
| Noise Reduction        | 2D/3D DNR   |
| Image Enhancement      | HLC, BLC, Defog   |
| Wide Dynamic Range     | True WDR  |
| S/N Ratio              | 55dB  |
| Privacy Masking        | 4 areas   |
| <b>Smart Function</b>  |   |
| Multi-Object Detection | Supports face, human, vehicle detection and capture   |
| Intelligent Analytics  | Intrusion, Single line crossing, Double line crossing, Loitering, Wrong-way<br>Support alarm triggering by specified target types (human and vehicle) |
| People Counting        | Support   |
| Basic Events           | Disk alarm, Network alarm, I/O alarm, Motion detection alarm, Abnormal sound detection  |
| <b>Network</b>         |   |
| Protocols              | IPv4/IPv6, RTSP/RTCP/RTP, TCP/UDP, HTTPS, DHCP, DNS, DDNS, PPPoE, UPnP, ICMP, IGMP, FTP, NTP, SMTP, 802.1x, SNMP                                      |
| Interoperability       | ONVIF, SDK  |
| Streaming Method       | Multicast   |
| Max. User Access       | 10 Users  |
| Web Viewer             | <IE11, Chrome, Firefox, Microsoft Edge  |
| Language               | English, Chinese, Polish, Italian, Portuguese, Spanish, Russian, French, Czech, Hungarian. Default: English   |
| <b>Interface</b>       |   |
| Network Interface      | 1 Ethernet (10/100 Base-T) RJ-45 Connector  |
| Audio Interface        | 1ch Input, 1ch Output   |
| Built-in Microphone    | Support   |
| Built-in Speaker       | Support   |
| Alarm Interface        | 1ch Input, 1ch Output   |
| Reset Button           | Support   |
| SD Card Slot           | Built-in, up to 512 GB  |
| Power Output           | 12VDC/0.25A output  |
| <b>Electrical</b>      |   |
| Power Supply           | DC12V (-15% to +25%)/PoE (IEEE 802.3af)   |
| Power Consumption      | Max. 8.5W   |
| Operating Temperature  | -40°C to 55°C (-40°F to 131°F)  |
| Operating Humidity     | Less than 90% RH  |
| Ingress Protection     | IP66  |
| Certifications         | CE/FCC  |
| Casing                 | Metal   |
| Dimensions             | 303 × 100 × 107 mm (11.9 × 3.94 × 4.21 inch)  |
| Net Weight             | 1.25 Kg (2.76 lb)   |

## Dimensions (mm)



## Accessories

### Optional:



SN-CBK649B  
Junction Box



SN-CBK627D  
Pole Mount