



SN-IPR8540DQAW-PZ

4MP Nighthawk Full Color Bullet Network Camera



Key Features

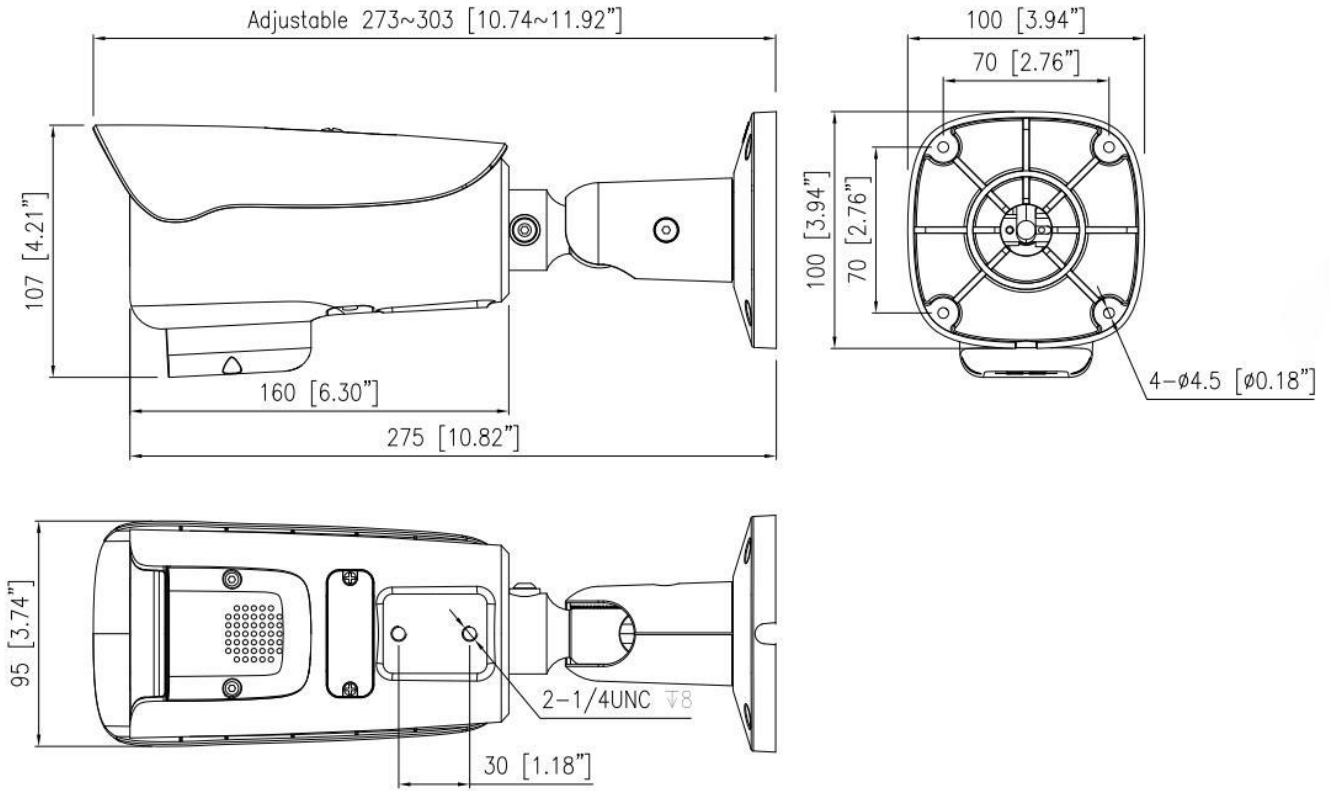
- 1/1.8" progressive scan CMOS
- Max. 4MP(2688×1520) @25/30fps resolution
- Support face, human, vehicle detection and capture
- Intelligent analytics: intrusion, single line crossing, double line crossing, loitering, wrong-way and people counting
- True WDR, 3D DNR, ROI, HLC, BLC, Defog
- Built-in warm lights, illumination distance up to 40m or 60m
- 1/1 audio in/out, 1/1 alarm in/out
- Built-in microphone and speaker
- Support SD card slot
- Support 12VDC/0.25A power output
- IP66

Specification

Camera	
Image Sensor	1/1.8" Progressive Scan CMOS
Max. Resolution	4MP (2688×1520)
Electronic Shutter	Auto/Manual, 1/5 to 1/50,000s
Min. illumination	Color: 0.0001 Lux @ (F1.0, AGC ON), 0 Lux with warm-light ON
Day & Night	Fixed filter
Angle Adjustment	Pan: 0° to 360°, Tilt: 0° to 90°, Rotation: 0° to 360°
Lens	
Lens Type	Motorized focus
Iris	P-Iris
Focal Length	4.5 to 8 mm and 8 to 32 mm optional
F Number	F1.0
Angle of View	4.5 to 8 mm, H: 101° to 57.5°, V: 52.7° to 32° 8 to 32 mm, H: 39.7° to 16°, V: 22.6° to 9.2°
DORI	
DORI Distance	4.5 to 8 mm: Wide: D: 69 m (226.4 ft), O: 27.6 m (90.6 ft), R: 13.8 m (45.3 ft), I: 6.9 m (22.6 ft) Tele: D: 113 m (370.7 ft), O: 45.2 m (148.3 ft), R: 22.6 m (74.1 ft), I: 11.3 m (37.1 ft) 8 to 32 mm: Wide: D: 159 m (521.7 ft), O: 63.6 m (208.7 ft), R: 31.8 m (104.3 ft), I: 15.9 m (52.2 ft) Tele: D: 370 m (1,213.9 ft), O: 148 m (485.6 ft), R: 74 m (242.8 ft), I: 37 m (121.4 ft)
Illuminator	
Illuminator Type	Warm light
Illumination Range	4.5 to 8 mm: up to 40 m (131.2 ft) 8 to 32 mm: up to 60 m (196.9 ft)
Illumination On/Off Control	Auto/Manual
Video	
Streaming Capability	3 Streams
Stream/Frame Rate	Stream1: 2688×1520, 2560×1440, 2304×1296, 1920×1080, 1280×720 @25/30fps Stream2: D1, VGA, CIF @25/30fps Stream3: VGA, CIF, QVGA @25/30fps
Bit Rate Control	CBR/VBR
Bit Rate	Stream1: 200 Kbps to 12 Mbps Stream2: 100 Kbps to 6 Mbps Stream3: 100 Kbps to 3 Mbps
Region of Interest	Off/On (8 areas, Rectangle)
Smart Encode	Support
Audio	
Compression	G.711, RAW_PCM
Bit Rate	64Kbps (G.711), 128Kbps (RAW_PCM)
Image	
Image Adjustment	Brightness, Sharpness, Contrast, Saturation adjustable
Aisle Mode	Support
Mirror	Support

White Balance	Auto/Manual
Day/Night Setting	Auto, Day, Night, Time
Noise Reduction	2D/3D DNR
Image Enhancement	HLC, BLC, Defog
Wide Dynamic Range	True WDR
S/N Ratio	55dB
Privacy Masking	4 areas
Smart Function	
Multi-Object Detection	Supports face, human, vehicle detection and capture
Intelligent Analytics	Intrusion, Single line crossing, Double line crossing, Loitering, Wrong-way Support alarm triggering by specified target types (human and vehicle)
People Counting	Support
Basic Events	Disk alarm, Network alarm, I/O alarm, Motion detection alarm, Abnormal sound detection
Network	
Protocols	IPv4/IPv6, RTSP/RTCP/RTP, TCP/UDP, HTTPS, DHCP, DNS, DDNS, PPPoE, UPnP, ICMP, IGMP, FTP, NTP, SMTP, 802.1x, SNMP
Interoperability	ONVIF, SDK
Streaming Method	Multicast
Max. User Access	10 Users
Web Viewer	<IE11, Chrome, Firefox, Microsoft Edge
Language	English, Chinese, Polish, Italian, Portuguese, Spanish, Russian, French, Czech, Hungarian. Default: English
Interface	
Network Interface	1 Ethernet (10/100 Base-T) RJ-45 Connector
Built-in Microphone	Support
Built-in Speaker	Support
Audio Interface	1ch Input, 1ch Output
Alarm Interface	1ch Input, 1ch Output
Reset Button	Support
SD Card Slot	Built-in, up to 512 GB
Power Output	12VDC/0.25A output
Electrical	
Power Supply	DC12V (-15% to +25%)/PoE (802.3af)
Power Consumption	Max. 11W
Operating Temperature	-40°C to 55°C (-40°F to 131°F)
Operating Humidity	Less than 90% RH
Ingress Protection	IP66
Certifications	CE/FCC
Casing	Metal
Dimensions	303 × 100 × 107 mm (11.9 × 3.94 × 4.21 inch)
Net Weight	1.25 Kg (2.76 lb)

Dimensions (mm)



Accessories

Optional:



SN-CBK649B
Junction Box



SN-CBK627D
Pole Mount