



SN-IPS8620TDR-Z25

5-inch 2MP 25x IR Network PTZ Camera



Key Features

- 1/2.8" progressive scan CMOS
- 25x optical zoom, 16x digital zoom
- Support face, human and vehicle detection and capture
- Support smoke and fire detection as well as smart motion detection
- Auto tracking and perimeter protection based on deep learning
- Intelligent analysis: intrusion, single line crossing, double line crossing, loitering, wrong-way, illegal parking and people counting
- True WDR, 3D DNR, ICR, Defog and Anti-shake
- Smart IR distance up to 150m
- IP66

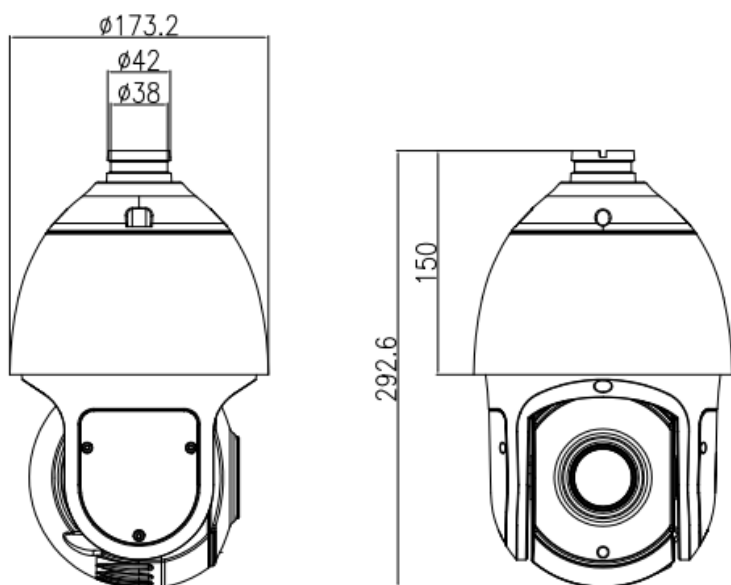
Specification

Camera				
Image Sensor	1/2.8" Progressive Scan CMOS			
Max. Resolution	1920(H) × 1080(V)			
Electronic Shutter	Auto/Manual, 1/5 to 1/20,000s			
Min. illumination	Color: 0.05 Lux @ (F1.6, AGC ON), B/W: 0.005 Lux @ (F1.6, AGC ON), 0 Lux with light			
Day & Night	Auto (ICR)			
Lens				
Focal Length	5 to 125 mm			
Max. Aperture	F1.6 to F3.67			
Angle of View	H: 56° to 3.4°, V: 32.4° to 1.9°			
Optical Zoom	25x			
Digital Zoom	16x			
Iris Control	Auto/Manual			
Focus Control	Auto/Manual/Semi-automatic			
DORI				
Lens	Detect	Observe	Recognize	Identify
5 mm	78 m (255.9 ft)	31.2 m (102.4 ft)	15.6 m (51.2 ft)	7.8 m (25.6 ft)
125 mm	1,950 m (6,397.6 ft)	780 m (2,559.1 ft)	390 m (1,279.5 ft)	192 m (629.9 ft)
Illuminator				
Illuminator Type	IR			
Illumination Distance	IR distance up to 150m (492.1ft)			
Illuminator On/Off Control	Auto/Manual			
PTZ				
Pan/Tilt Range	Pan: 0° to 360° endless, Tilt: -10° to +90°			
Pan Speed	Pan speed: 0.1° to 180°/s, preset speed: 180°/s			
Tilt Speed	Tilt speed: 0.1° to 90°/s, preset speed: 90°/s			
Presets	400			
Patrol Scan	6 Track, 12 Scan, 12 Patrol (up to 32 presets each patrol)			

Power-Off Memory	Support
3D Positioning	Support
PTZ Status Display	Support
Idle Motion	The time can be set (1-240 minutes), and functions such as preset positions, patrols, scans, and tracks can be run.
Video and Audio	
Streaming Capability	3 Streams
Stream/Frame Rate	Stream1: 1920×1080, 1280×720 @25/30fps Stream2: D1, VGA, 640×360, CIF @25/30fps Stream3: VGA, CIF, QVGA @25/30fps
Bit Rate Control	CBR/VBR
Bit Rate	Stream1: 200kbps to 12Mbps Stream2: 100kbps to 6Mbps Stream3: 100kbps to 3Mbps
Smart Encoder	Support
Region of Interest (ROI)	Support
Compression	G.711: 64Kbps, RAW_PCM: 128Kbps
Image	
Image Adjustment	Brightness, Sharpness, Contrast, Saturation
Mirror	Support
Exposure Mode	Auto/Manual
White Balance	Auto/Manual
Day/Night Setting	Auto, Day, Night, Time
Noise Reduction	2D/3D DNR
Image Enhancement	HLC, BLC, Defog, Anti-shake
Wide Dynamic Range	True WDR
S/N Ratio	50dB
Motion Detection	Support
Privacy Masking	Support 40 zones, mask color configurable
Smart Function	
Multi-Object Detection	Support face, human, vehicle detection and capture
Intelligent Analysis	Intrusion, Single line crossing, Double line crossing, Loitering, Wrong-way, Illegal parking, Smart motion detection (support the accurate detection of vehicle and human)
Smoke and Fire Detection	Support
People Counting	Support

Smart Tracking	Support
Network	
Protocols	IPv4, IPv6, TCP/IP, HTTP, HTTPS, RTSP/RTP/RTCP, IGMP/Multicast, SMTP, DHCP, NTP, DNS, DDNS, QoS, SNMP, 802.1X, UDP, ICMP, ARP, TLS
Interoperability	ONVIF, SDK, CGI
Streaming Method	Multicast
Max. User Access	10 Users
Web Viewer	<IE11, Chrome, Firefox, Microsoft Edge
Language	English, Chinese, Polish, Italian, Portuguese, Spanish, Russian, French, Czech, Hungarian. Default: English
Interface	
Network Interface	1 Ethernet (10/100 Base-T) RJ-45 Connector
Audio Interface	1ch Input, 1ch Output
Alarm Interface	2ch Input, 2ch Output
SD Card Slot	Built-in, up to 256GB
Electrical	
Power Supply	24VAC/36VDC/PoE+ (IEEE 802.3at), Standard Equipped: 36VDC
Power Consumption	Less than 30W
Operating Temperature	-40°C to 60°C (-40°F to 140 °F)
Operating Humidity	Less than 90% RH
Ingress Protection	IP66, TVS4000V
Certifications	CE/FCC
Casing	Metal
Dimensions	φ173.2 × 292.6 mm (φ6.82 × 11.52 inch)
Net Weight	3.5 Kg (7.72 lb)

Dimensions (mm)



Accessories

Optional:



SN-BK606B
Wall Bracket



SN-BK348A
Ceiling Bracket



SN-BK605
Corner Mount



SN-BK604B
Pole Mount