



# SN-IPS8645YDR-Z18

5-inch 4MP 18x Starlight IR Network PTZ Camera



## Key Features

- 1/2.8" STARVIS™ CMOS
- Max. 25/30 fps@2592 × 1520
- 18x optical zoom, 16x digital zoom
- Support face, human and vehicle detection and capture
- Support smoke and fire detection as well as smart motion detection
- Auto tracking and perimeter protection based on deep learning
- Intelligent analysis: intrusion, single line crossing, double line crossing, loitering, wrong-way, illegal parking and people counting
- True WDR, 3D DNR, ICR, Defog and DIS
- Smart IR distance up to 150 m
- Supports heated glass for defogging , IP66

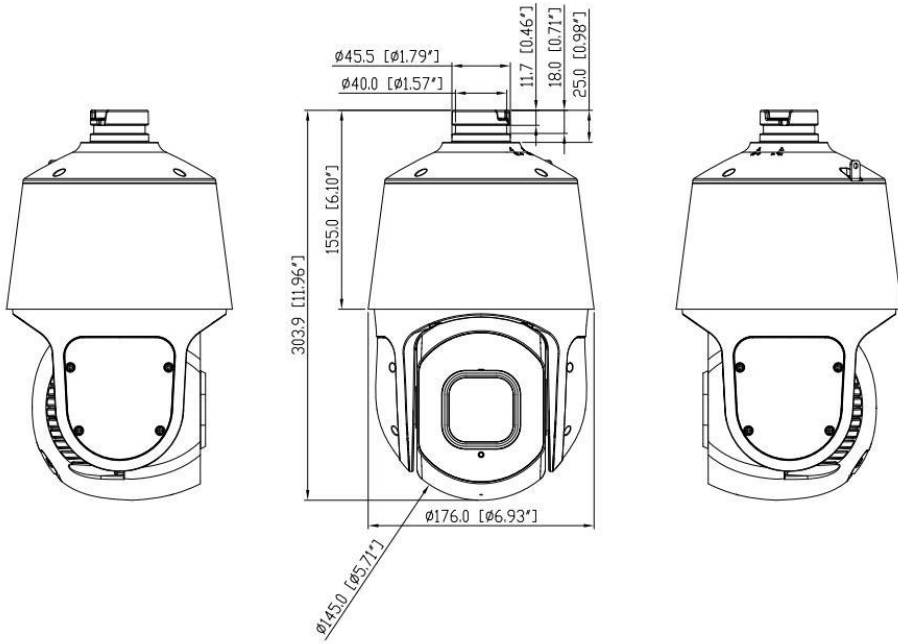
## Specification

Camera	
Image Sensor	1/2.8" Progressive Scan CMOS
Max. Resolution	2592(H) × 1520(V)
Electronic Shutter	Auto/Manual, 1/5 to 1/20,000s
Min. illumination	Color: 0.005 Lux @ (F1.6, AGC ON), B/W: 0.001 Lux @ (F1.6, AGC ON), 0 Lux with IR on
Day & Night	Auto (ICR)
Lens	
Focal Length	5.3 to 95.4 mm
Max. Aperture	F1.6 to F2.8
Angle of View	H: 58.2° to 4.8°, V: 34° to 2.8°
Optical Zoom	18x
Digital Zoom	16x
Iris Control	Auto/Manual
Focus Control	Auto/Manual/Semi-automatic
Illuminator	
Illuminator Type	IR
Illumination Distance	IR distance up to 150 m (492.1 ft)
Illumination On/Off Control	Auto/Manual
PTZ	
Pan/Tilt Range	Pan: 0° to 360° endless, Tilt: -15° to +90° (auto-flip)
Pan Speed	Pan speed: 0.1° to 180°/s, preset speed: 180°/s
Tilt Speed	Tilt speed: 0.1° to 90°/s, preset speed: 90°/s
Presets	400
Patrol Scan	6 Track, 12 Scan, 12 Patrol (up to 32 presets each patrol)
Power-Off Memory	Support
3D Positioning	Support
PTZ Status Display	Support
Idle Motion	The time can be set (1-240 minutes), and functions such as preset positions, patrols, scans, and tracks can be run.

Video	
Streaming Capability	3 Streams
Stream/Frame Rate	Stream1: 2592×1520, 2560×1440, 2304×1296, 1920×1080, 1280×720 @25/30fps Stream2: D1, VGA, CIF @25/30fps Stream3: VGA, CIF, QVGA @25/30fps
Bit Rate Control	CBR/VBR
Bit Rate	Stream1: 200 kbps to 12 Mbps Stream2: 100 kbps to 6 Mbps Stream3: 100 kbps to 3 Mbps
Smart Encoder	Support
Region of Interest (ROI)	Support
Audio	
Compression	G.711: 64 kbps, RAW_PCM: 128 kbps
Image	
Image Adjustment	Brightness, Sharpness, Contrast, Saturation
Mirror	Support
Exposure Mode	Auto/Manual
White Balance	Auto/Manual
Day/Night Setting	Auto, Day, Night, Time
Noise Reduction	2D/3D DNR
Image Enhancement	HLC, BLC, Defog, Anti-shake
Wide Dynamic Range	True WDR
S/N Ratio	55dB
Privacy Masking	Support 40 zones, mask color configurable
Smart Function	
Basic Event	Motion detection alarm, I/O alarm, Disk alarm, Network alarm
Multi-Object Detection	Support face, human, vehicle detection and capture
Smoke and Fire Detection	Support
Intelligent Analysis	Intrusion, Single line crossing, Double line crossing, Loitering, Wrong-way, Illegal parking, Smart motion detection (support the accurate detection of vehicle and human)
People Counting	Support
Smart Tracking	Support
Network	
Protocols	IPv4, IPv6, TCP/IP, HTTP, HTTPS, UPnP, RTSP/RTP/RTCP, IGMP/Multicast, SMTP, DHCP, NTP, DNS, DDNS, QoS, SNMP, 802.1X, UDP, ICMP, ARP, TLS

Interoperability	ONVIF (profile S/T/G/M), SDK, CGI
Streaming Method	Multicast
Max. User Access	10 Users
Web Viewer	<IE11, Chrome, Firefox, Microsoft Edge
Language	English, Chinese, Polish, Italian, Portuguese, Spanish, Russian, French, Czech, Hungarian. Default: English
<b>Interface</b>	
Network Interface	1 Ethernet (10/100 Base-T) RJ-45 Connector
Audio Interface	1ch Input, 1ch Output
Alarm Interface	2ch Input, 2ch Output
SD Card Slot	Built-in, up to 1 TB
Reset Button	Support
<b>Electrical</b>	
Power Supply	24VAC/36VDC/PoE+ (802.3at), Standard Equipped: 36VDC
Power Consumption	Less than 24W
Operating Temperature	-40°C to 60°C (-40°F to 140 °F)
Operating Humidity	Less than 90% RH
Ingress Protection	IP66, TVS4000V
Certifications	CE/FCC
Casing	Metal
Dimensions	φ176.0 × 303.9 mm (φ6.93 × 11.96 inch)
Net Weight	4 kg (8.82 lb)

## Dimensions (mm)



## Accessories

Optional:



SN-CBK504A  
Wall Bracket



SN-BK348A  
Ceiling Bracket



SN-BK605  
Corner Mount



SN-BK604B  
Pole Mount



SN-BK367  
Junction Box



SN-BK359  
Pole Mount



SN-BK358  
Corner Mount