



# SN-IPS8652PCDN(-K)-Z15-SS

5MP 15x Anti-Corrosion Network Speed Dome



## Key Features

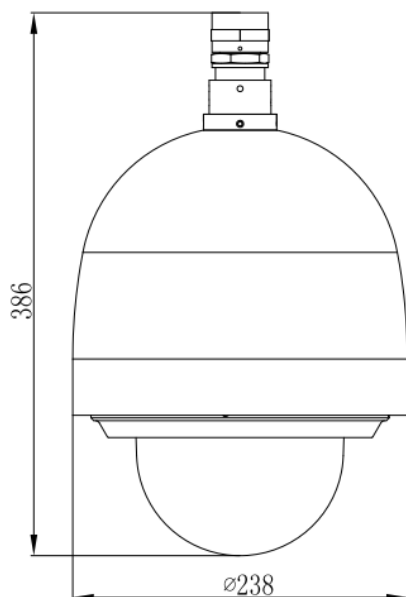
- 1/2.8" 5MP STARVIS™ CMOS
- 15x optical zoom, 16x digital zoom
- Support face, human and vehicle detection and capture
- Support smoke and fire detection as well as smart motion detection
- Intelligent analysis: intrusion, single line crossing, double line crossing, loitering, wrong-way, illegal parking and people counting
- True WDR, 3D DNR, ICR, Defog and Anti-shake
- -K: Support fiber optical interface
- 316L stainless steel enclosure, IP68 water resistant
- ATEX: II 2 G Ex db op is IIC T6 Gb, Ex II 2 D Ex tb op is IIIC T80°C Db

## Specification

Camera	
Image Sensor	1/2.8" Progressive Scan CMOS
Max. Resolution	2592(H) × 1944(V)
Min. illumination	Color: 0.01 Lux @ (F1.6, AGC ON), B/W: 0.001 Lux @ (F1.6, AGC ON)
Electronic Shutter	Auto/Manual, 1/5 to 1/20,000s
Day & Night	Auto (ICR)
Lens	
Focal Length	5.3 to 79.5 mm, 15x optical zoom
Max. Aperture	F1.6 to F2.8
Angle of View	H: 58.2° to 4.83°, V: 34° to 2.8°
Zoom Speed	Approx. 2.5s
Iris Control	Auto/Manual
Focus Control	Auto/Manual/Semi-automatic
Digital Zoom	16x
PTZ	
Pan/Tilt Range	Pan: 0° to 360° endless, Tilt: 0° to +90°
Pan Speed	Pan speed: 0.1° to 200°/s, preset speed: 200°/s
Tilt Speed	Tilt speed: 0.1° to 160°/s, preset speed: 160°/s
Presets	300
Patrol Scan	6 Track, 12 Scan, 12 Patrol (up to 32 presets each patrol)
Power-Off Memory	Support
3D Positioning	Support
PTZ Status Display	Support
Idle Motion	The time can be set (1-240 minutes), and functions such as preset positions, patrols, scans, and tracks can be run.
Video	
Streaming Capability	3 Streams
Stream/Frame Rate	Stream1: 2592×1944, 2592×1520, 1920×1080, 1280×720 @25/30fps Stream2: D1, VGA, CIF @25/30fps Stream3: VGA, CIF, QVGA @25/30fps
Bit Rate Control	CBR/VBR
Bit Rate	Stream1: 200kbps to 12Mbps Stream2: 100kbps to 6Mbps Stream3: 100kbps to 3Mbps
Smart Encoder	Support
Region of Interest (ROI)	Support
Image	
Image Adjustment	Brightness, Sharpness, Contrast, Saturation
Mirror	Support
Exposure Mode	Auto/Manual

White Balance	Auto/Manual
Day/Night Setting	Auto, Day, Night, Time
Noise Reduction	2D/3D DNR
Image Enhancement	HLC, BLC, Defog, Anti-shake
Wide Dynamic Range	True WDR
S/N Ratio	55dB
Privacy Masking	Support 40 zones, mask color configurable
<b>Smart Function</b>	
Basic Event	Motion detection alarm, Disk alarm, Network alarm
Multi-Object Detection	Support face, human, vehicle detection and capture
Intelligent Analysis	Intrusion, Single line crossing, Double line crossing, Loitering, Wrong-way, Illegal parking, Smart motion detection (support the accurate detection of vehicle and human)
Smoke & Fire Detection	Support
People Counting	Support
Smart Tracking	Support
<b>Network</b>	
Protocols	IPv4, IPv6, TCP/IP, HTTP, HTTPS, RTSP/RTP/RTCP, IGMP/Multicast, SMTP, DHCP, NTP, DNS, DDNS, QoS, SNMP, 802.1X, UDP, ICMP, ARP, TLS
Interoperability	ONVIF, SDK
Streaming Method	Multicast
Max. User Access	10 Users
Web Viewer	<IE11, Chrome, Firefox, Microsoft Edge
Language	English, Chinese, Polish, Italian, Portuguese, Spanish, Russian, French, Czech, Hungarian. Default: English
<b>Interface</b>	
Network Interface	1 Ethernet (10/100 Base-T) RJ-45 Connector
Fiber Optical	-K: 1 single module fiber interface
Reset Button	Support
SD Card Slot	Built-in, up to 256GB
<b>Electrical</b>	
Power Supply	100 to 240VAC
Power Consumption	Less than 15W
Operating Temperature	-20°C to 60°C (-4°F to 140 °F)
Operating Humidity	Less than 90% RH
Ingress Protection	IP68
Certifications	ATEX: Ex II 2GD Ex db IIC T6 Gb /Ex tb IIIC T80°C Db; IECEX: Ex db IIC T6 Gb /Ex tb IIIC T80°C Db
Certifications	CE/FCC
Casing	SUS316L
Dimensions	φ 238 × 386mm ( φ 9.37 × 15.2 inch)
Net Weight	15 Kg (33.07 lb)

## Dimensions (mm)



## Accessories

Optional:



Wall Bracket  
(standard)



Ceiling Bracket



SN-BK400-SS(P/F/D)  
Junction Box



SN-CPL10A-SS  
Washing Tank



Flexible Tube