



SN-TPC4107KV-F

Thermal Imaging Security Network Bullet Camera



Key Features

- VOx uncooled focal plane detector with 384×288 resolution
- NETD ≤ 40mK
- 9/15/25/35/50mm fixed thermal lens
- Support human/vehicle detection
- Support fire point detection and smoking detection
- Smart events: intrusion, single line crossing, double line crossing, loitering, wrong-way, people counting, enter area, leave area
- Support 3 temperature measurement rule types (spot, line, area)
- Temperature measurement range: -20°C to 150°C (-4°F to 302°F)
- Support 12VDC/24VAC/PoE power supply
- NDAA Compliance, IP66

Specification

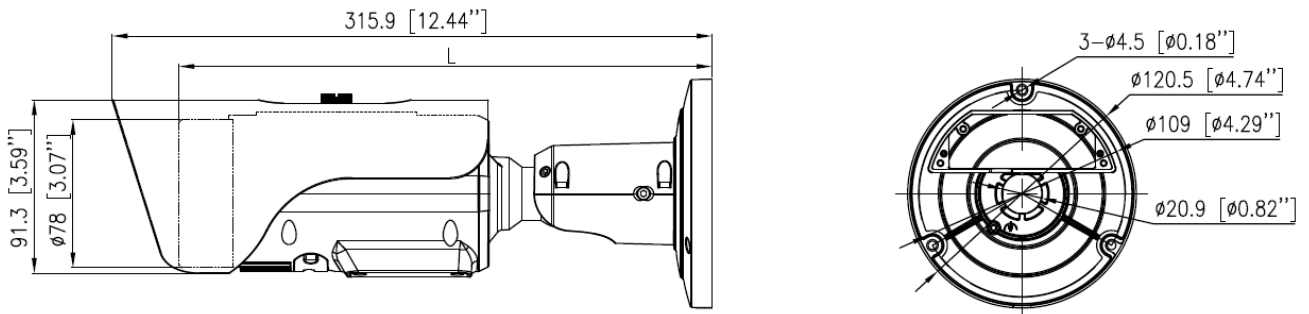
Thermal Module					
Image Sensor	Vanadium Oxide Uncooled Focal Plane Arrays				
Resolution	Sensor is 384×288. Image can be scaled up to 1280×720				
Pixel Pitch	17μm				
NETD	≤ 40mK				
Spectral Range	8 to 14μm				
Image Setting	Brightness, Sharpness, Contrast, Mirror, FFC control, 2D/3D DNR, Defog				
Pseudo-color Setting	White-hot/Black-hot/Rainbow/Ironbow etc. up to 17 modes				
Thermal Lens					
Focus Control	Fixed lens, Free focus				
Focal Length	9mm	15mm	25mm	35mm	50mm
Aperture	F1.0	F1.0	F1.0	F1.0	F1.0
Angle of View	H: 37°, V: 28°	H: 28°, V: 21°	H: 14°, V: 11°	H: 10°, V: 8°	H: 7.4°, V: 5.6°
Detection Distance (Humans: 1.8×0.5m)	264m (866.1ft)	441m (1,446.9ft)	734m (2,408.1ft)	1,028m (3,372.7ft)	1,469m (4,819.6ft)
Detection Distance (Vehicles: 4×1.4m)	812 m (2,664ft)	1,353m (4,439ft)	2,255m (7,398.3ft)	3,157m (10,357.6ft)	4,510m (14,796.6ft)
Recognition Distance (Humans: 1.8×0.5m)	66m (216.5ft)	110m (360.9ft)	184m (603.7ft)	257m (843.2ft)	367m (1,204.1ft)
Recognition Distance (Vehicles: 4×1.4m)	203m (666ft)	338m (1,109ft)	564m (1,850.4ft)	789m (2,588.6ft)	1,127m (3,697.5ft)
Identification Distance (Humans: 1.8×0.5m)	33m (108.3ft)	55m (180.4ft)	92m (301.8ft)	129m (423.2ft)	184m (603.7ft)
Identification Range (Vehicles: 4×1.4m)	101m (331.4ft)	169m (554.5ft)	282m (925.2ft)	395m (1,296ft)	564m (1,850.4ft)
* The table is only for reference and the performance may vary according to different environment.					
* The optimal detection, recognition, and identification distances are calculated according to Johnson's Criteria.					
Detection Range: In order to distinguish an object from the background, the object must be covered by 1.5 or more pixels.					
Recognition Range: In order to classify the object (animal, human, vehicle, etc.), the object must be covered by 6 or more pixels.					
Identification Range: In order to identify the object and describe it in details, the object must be covered by 12 or more pixels.					
Detection Range Table					
Temperature Measurement (Object: 1 × 1m)	106m (347.8ft)	177m (580.7ft)	294m (964.6ft)	412m (1,351.7ft)	588m (1,929.1ft)
Temperature Measurement (Object: 0.2 × 0.2m)	21.2m (69.6ft)	35.3m (115.8ft)	59m (193.6ft)	82m (269ft)	118m (616.8ft)
Fire Detection (Object: 1 × 1m)	265m (869.4ft)	441m (1,446.9ft)	735m (2,411.4ft)	1,029m (3,376ft)	1,471m (4,826.1ft)
Fire Detection (Object: 0.2 × 0.2m)	53m (173.9ft)	88m (288.7ft)	147m (482.3ft)	206m (675.9ft)	294m (964.6ft)
Note: The table is for reference only. The distances within it are subject to actual conditions including atmospheric conditions, target size, the installation site, and more.					

Video and Audio	
Main Stream	1280×720, 704×576, 384×288 @25fps
Sub Stream	704×576, 384×288, 352×240 @25fps
Bit Rate Control	CBR/VBR
Bit Rate	Main stream: 100Kbps to 8Mbps, Sub stream: 100Kbps to 6Mbps
Region of Interest	Off/On (8 Zone, Rectangle)
Audio Compression	G711: 64kbps, RAW_PCM: 128kbps
Smart Function	
Smart Alarm	Motion detection, Disk alarm, I/O alarm, IVS alarm, Temperature detection alarm
Smart Detection	Support human/vehicle detection, fire point detection and smoking detection
Intelligent Analysis	Intrusion, Single line crossing, Double line crossing, Loitering, Wrong-way, Enter area, Leave area (these functions support accurate detection of human/vehicles), People counting
Temperature Detection	
Temperature Detection	3 temperature measurement rule types, 20 rules in total, 1 full screen, 19 others (spot, areas, line).
Temperature Alarm	Over temperature alarm, Temperature difference alarm
Accuracy	±8°C
Response Time	≤ 30ms
Temperature Range	-20°C to 150°C (-4°F to 302°F)
Network	
Protocols	IPv4/IPv6, HTTP, HTTPS, RTSP/RTP/RTCP, TCP/UDP, DHCP, DNS, DDNS, PPPOE, FT, SMTP, 802.1x, SNMP
Interoperability	ONVIF, CGI, SDK
Max. User Access	10 Users
Web Viewer	<IE11, Chrome, Firefox, Microsoft Edge
Web Language	English, Chinese, Polish, Italian, Portuguese, Spanish, Russian, French, Czech, Hungarian
Interface	
Network Interface	1 Ethernet (10/100 Base-T) RJ-45 Connector
Audio Interface	1ch Audio In, 1ch Audio Out
Alarm Interface	2ch Alarm In, 2ch Alarm Out
CVBS Interface	Support
Control Interface	1ch RS-485
Reset Button	Support

SD Card Slot	Built-in, up to 256GB
General	
Power Supply	12VDC/24VAC/PoE
Power Consumption	Max 4.5W
Working Temperature	-40°C to 60°C (-40°F to 140°F)
Storage Conditions	0 to 90% RH
Certifications	CE /FCC
Ingress Protection	IP66
Casing	Metal
Dimensions	φ120.5 × 315.9 ~ 352.6 mm (φ4.74" × 12.44" ~ 13.88")
Net Weight	1.62 kg (3.57 lb) with 9mm lens
Ordering Information	
Model	Description
SN-TPC4107KV-F09	Focal Length: 9mm
SN-TPC4107KV-F15	Focal Length: 15mm
SN-TPC4107KV-F25	Focal Length: 25mm
SN-TPC4107KV-F35	Focal Length: 35mm
SN-TPC4107KV-F50	Focal Length: 50mm

Dimensions (mm)

With 9/15mm Lens



Accessories

Optional:



SN-CBK645G
Junction Box



SN-CBK101A
Pole Mount



SN-CBK102A
Corner Mount